

# Air King<sup>®</sup>

## Ventilation Products

### SPECIFICATIONS

# AS90

### EXHAUST FANS

**90 CFM/2.5 SONES @ 0.10" WG. -HVI CERTIFIED**  
**120 Volts, 0.45 amps, 60 hz.**

• **Grill**

White, polymeric grill secured in place with torsion springs; easily removed if necessary, dimensions - 10<sup>1</sup>/<sub>2</sub>" x 10<sup>1</sup>/<sub>2</sub>".

• **Blower Wheel**

One piece polymeric wheel, 5<sup>1</sup>/<sub>8</sub>" diameter, 2<sup>3</sup>/<sub>8</sub>" wide, with 48 fins.

• **Motor**

PSC, plug-in, 4 pole motor, life time lubrication, suitable for continuous operation. Rated 120 volts, 60 hz., 0.45 amps.

• **Fan Housing**

23 gauge galvanized steel housing, dimensions 8<sup>3</sup>/<sub>4</sub>" x 8<sup>3</sup>/<sub>4</sub>" x 5<sup>3</sup>/<sub>4</sub>".

• **Duct Collar**

Plastic collar for 4" duct connection, comes complete with built in non-metallic back draft damper for quiet operation.

• **Ventilating Area**

For bathrooms up to 90 sq. ft. for other rooms up to 115 sq. ft.

• **Unit Mounting**

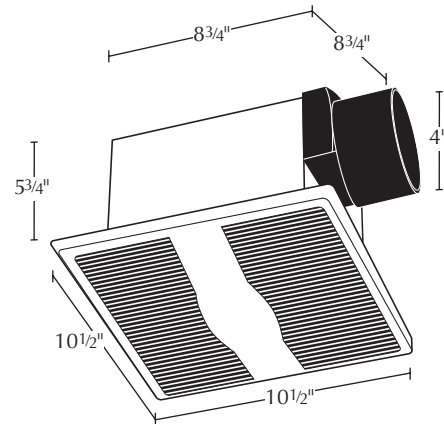
Rated for ceilings insulated to R-40. Designed to mount in ceilings with at least 6" of clearance. AS120 is centered between joists (with 16" centers) using hanging brackets. The housing will mount through drywall thickness up to 3/4", with a rough-in opening of 9" x 9".

• **Single Pack Shipping Info**

Box Dim: 12<sup>3</sup>/<sub>4</sub>" x 10<sup>1</sup>/<sub>8</sub>" x 7"

UPC 0-8316229021-2

Shipping Weight - 6<sup>1</sup>/<sub>4</sub> lbs.



## CUL/HVI

Acceptable for use over tub or shower when installed in a GFCI protected branch circuit.

### PERFORMANCE

	Static Pressure (inches of w.g.)								HVI Sones @ .1 SP	Fan Speed RPM	Power Watts
	0	0.05	0.1	0.125	0.15	0.2	0.25	0.3			
<b>Air Flow - CFM</b>	101	95	90	88	85	81	74	65	2.5	1375	50

<b>PROJECT</b>							<b>ARCHITECT</b>				
<b>LOCATION</b>							<b>ENGINEER</b>				
<b>CONTRACTOR</b>							<b>SUBMITTED BY</b>			<b>DATE</b>	
FAN NUMBER	MODEL NUMBER	CFM	IN W.G.	RPM	WATTS	AMPS	SONES	QTY	OPTIONAL EQUIPMENT & REMARKS		



**U.S.:** 820 Lincoln Drive  
 West Chester, Pennsylvania 19380-4466  
 Tel: (610) 692-7400 • 877-304-3785  
 Fax: (610) 696-8048

**Canada:** 110 Glidden Road  
 Brampton, Ontario L6T 2J3  
 Tel: (905) 456-2033  
 Fax: (905) 456-1015